



Portable Desktop Speaker System

NAS-3001



Operating Instructions

WARNING !

Be careful not to overload the speakers !
 Decrease volume if you experience distortion during playback. Prolonged listening at excessive volume may damage speakers. Make sure volume of the source device is set to 50% of maximum.



BEFORE OPERATING THIS PRODUCT, READ, UNDERSTAND, AND FOLLOW THESE INSTRUCTIONS.
 Be sure to save this booklet for future reference.

IMPORTANT SAFEGUARDS

Signal Word Definitions

DANGER – Indicates an imminently hazardous situation, which, if not avoided, will result in death or serious injury. Usage of this signal word is limited to the most extreme situations.

WARNING – Indicates a potentially hazardous situation, which, if not avoided, could result in death or serious injury.

CAUTION – Indicates a potentially hazardous situation, which, if avoided, may result in minor / moderate injury or product / property damage. It also alerts against unsafe practices.

- Keep the product and all its parts and accessories out of the reach of small children.
- Keep the product away from moisture.
- Do not leave the unit exposed to direct sunlight for long periods.
- Do not clean it with thinner, alcohol, or benzene.
- If the Speakers will not be operated for a prolonged period, remove the battery to avoid possible damage caused by battery leakage.
- Keep the Speakers away from extreme temperature changes, moisture, dust / dirt, and strong magnetism.
- Do not drop the Speakers as it may cause the battery to fall out or damage its surface.

Battery Handling and Usage

Battery life of installed alkaline batteries is approximately three hours. Change the batteries when the unit does not respond after batteries are taken out and reinstalled.

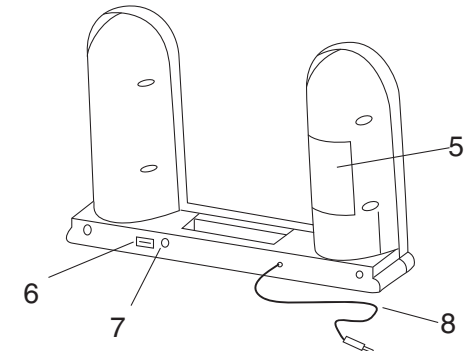
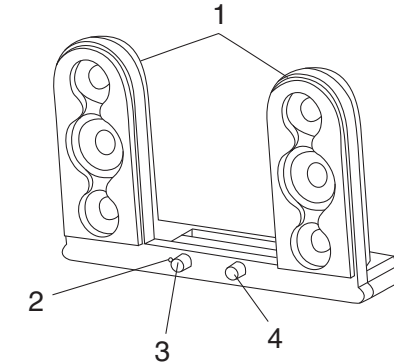
WARNING: Only adults should handle batteries. Do not allow a child to use this product unless the Battery Compartment Cover is securely attached to the Battery Compartment in accordance with all product usage instructions.

- Follow the battery manufacturer's safety and usage instructions.
- Keep batteries away from children and pets.
- Do not mix a used battery with a new battery, or mix different chemistries or sizes of batteries.
- Insert the batteries observing the proper polarity (+/-) as indicated inside the battery compartment. Failure to properly align the battery polarity can cause personal injury and/or property damage.
- Remove spent or discharged batteries from the product. Remove the batteries when the product will not be used for an extended period.
- Never throw batteries into a fire. Do not expose batteries to fire or other heat sources.
- Battery Disposal: Properly dispose or recycle spent or discharged batteries in compliance with all applicable laws. For detailed information, contact your local solid waste authority.

NOTE: When operating the product in an environment where electrostatic discharges are present, the product may not function properly.

SAVE THESE INSTRUCTIONS FOR FUTURE REFERENCE

Parts Description



- | | |
|-------------------------------------------|------------------------------------|
| 1. Left and Right Aluminium Cone Speakers | 5. Battery Compartment |
| 2. Power Indicator | 6. USB Power Supply Port |
| 3. Power ON/OFF Button | 7. 6V DC Input Jack |
| 4. Volume Control Knob | 8. Speakers Player connection plug |

Included Accessories

- USB Cable (Type-A to Type-A)
- AC/DC Adapter

Using The Speakers

Power Supply:

There are three different methods of powering the Speakers:

- **BATTERY SUPPLY:** Open the Battery Compartment Cover located at the back of the speakers and install four "AA" size alkaline batteries (not included).
- **AC/DC ADAPTOR:** Connect the 6-Volt AC/DC power adaptor (included) to the DC jack located at the back of the speakers.
- **USB SUPPLY:** After verifying that your computer supports USB devices, connect the USB Cable (included) to the USB port on the computer and the USB port at the back of the speakers. Make sure to start up the computer before using the USB power supply.

To Use:

1. Connect the Player connection plug to the Line Out jack on your selected audio device, such as a CD player or MP3 player.
2. Press the Power Button to the "ON" position, the power indicator will be light up.
3. Adjust the volume knob to the desired level.

WARNING: Ensure the Power Button is in the Off position and the power cord is unplugged from the electrical outlet before cleaning the product.

WARNING: Do not allow water or other liquids to enter the interior of the product, as this could create a fire and/or electrical hazard.

- Clean the exterior of the product by wiping it with a soft, damp cloth.
- Do not use any abrasive cleaners or solvents, as product damage will occur.
- When not in use, store the product in a clean, dry place out of the reach of children and pets.

Glossary of Audio Terms

USB 1.1

Universal Serial Bus (USB) is an external bus standard that supports data transfer rates up to 12 Mbps (12 million bits per second). This is how the Speakers Stand using USB power supply with the computer. You could use one USB port to connect up to 127 peripheral devices in series (know as a "daisy chain"), such as scanners, keyboards, and external drives. USB also supports Plug-and-Play installation and not swapping. It may eventually replace serial and parallel ports.

TROUBLESHOOTING

Symptom	Cause	Correction
No Power	<ul style="list-style-type: none"> - The AC/DC adaptor is disconnected. - No batteries installed. - USB cable not connected properly. 	<ul style="list-style-type: none"> - Plug the power cord into a working electrical outlet. - Install the batteries properly. - Connect the USB cable to the USB port on your computer and to the speaker system.
No Sound	<ul style="list-style-type: none"> - Audio plug not connected to a compatible audio device. - Volume knob on lowest position. 	<ul style="list-style-type: none"> - Connect Audio plug to an audio device with Line Out or Headphone Jack. - Rotate volume knob clockwise to increase volume.

Product Specifications

Power Supply	<ul style="list-style-type: none"> - Four "AA" size batteries (not included) - 6V AC/DC adapter (included) - Computer USB port
Ports	Standard Type-A to Type-A USB connector
Interface	USB 1.1/2.0
Channel Separation	40 dB
Frequency Response	20 Hz – 20 KHz
Maximum Output	1.5 Watt
GENERAL DESCRIPTION	
Speaker	2 1/4"(58mm) 3-Watt 4 Ω X 2
Weight	522g
Dimensions (L x W x H)	270 x 56 x 175mm